

XPG GAMMIX S50 Lite PCIe GEN4X4 M.2 2280
SOLID STATE DRIVE

THE NEXT IN PCIe



XPG GAMMIX S50 Lite PCIe Gen4x4 M.2 2280 Solid State Drive

Take advantage of PCIe Gen4x4, the latest iteration of the PCIe interface, with the XPG GAMMIX S50 Lite PCIe Gen4x4 M.2 2280 solid state drive. Delivering read/write speeds of up to 3900/3200MB per second and sporting a host of other great features, the GAMMIX S50 Lite will bring your system to the next level.

Features

- R/W speed up to 3900/3200MB/s
- Ultra-fast PCIe Gen4x4 interface
- NVMe 1.4 compatible
- SLC caching and DRAM cache buffer
- E2E Data Protection and RAID Engine
- Advanced LDPC ECC Technology
- AES 256-bit encryption support
- Compact M.2 2280 form factor – ideal for gaming and high-end desktops

Ordering Information

Capacity	Model Number	EAC Code
512GB	AGAMMIXS50L-512G-CS	4711085934376
1TB	AGAMMIXS50L-1T-C	4710273778860
1TB	AGAMMIXS50L-1T-CS	4711085932365
2TB	AGAMMIXS50L-2T-C	4710273778877
2TB	AGAMMIXS50L-2T-CS	4711085932372



Specifications

- Capacities: 512GB / 1TB / 2TB
- NAND Flash: 3D NAND
- Interface: PCIe Gen4x4
- Form Factor: M.2 2280
- MTBF: 2,000,000 hours
- Dimensions (L x W x T):
 - 80 x 22 x 4.3mm (with heatsink)
 - 80 x 22 x 3.3mm (without heatsink)
- Weight: 10g / 0.35oz (with heatsink)
6g / 0.24oz (without heatsink)
- Power Consumption: 0.33W Active (Typical),
0.14W Slumber (Typical) (*measured by power meter)
- Operating Temperature: 0°C~70°C
- Storage Temperature: -40°C~85°C
- Shock Resistance: 1500G/0.5ms
- Certifications: CE, FCC, BSMI, KC, Morocco, EAC
- Warranty: 5-year limited warranty

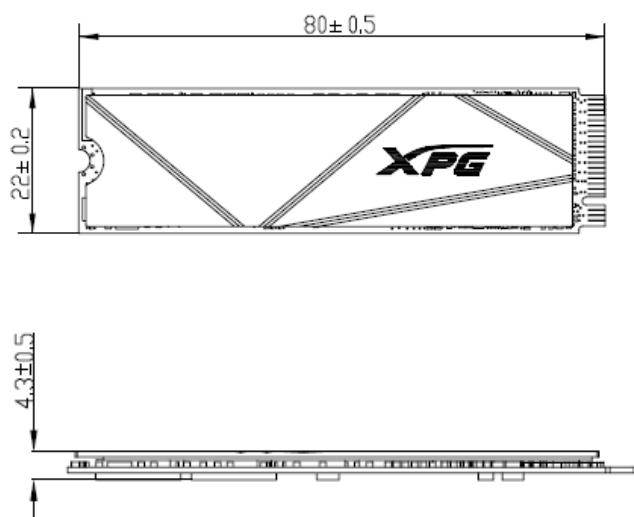
Performance

Capacity	ATTO	ATTO	CDM	CDM	AS SSD	AS SSD	4K	4K	TBW
	Seq. Read (MB/sec)	Seq. Write (MB/sec)	(QD32-T1) Seq. Read (MB/sec)	(QD32-T1) Seq. Write (MB/sec)	Seq. Read (MB/sec)	Seq. Write (MB/sec)	Random Read IOPS	Random Write IOPS	
512GB	3800	2800	3800	2800	3300	2500	191K	510K	370TB
1TB	3800	3200	3900	3200	3300	2800	380K	540K	740TB
2TB	3800	3200	3900	3200	3300	2800	490K	540K	1480TB

*Performance may vary based on SSD capacity, hardware test platform, test software, operating system and other system variables

Schematics

<With heatsink>



<Without heatsink>

