

Horizontal Copper Cable, category 6, 4 pair, UTP, LSZH, 24 AWG, 305 m reel, white

OBSOLETE

Replaced By:

1427070-2 Category 6 U/UTP Cable, 24AWG, low smoke zero halogen, white jacket, 4 pair count,
CS30Z1 WHT C6 4/24 U/UTP RIB 305M 305 m length Reel in box

Product Classification

Regional Availability	EMEA
Portfolio	NETCONNECT®
Product Type	Twisted pair cable

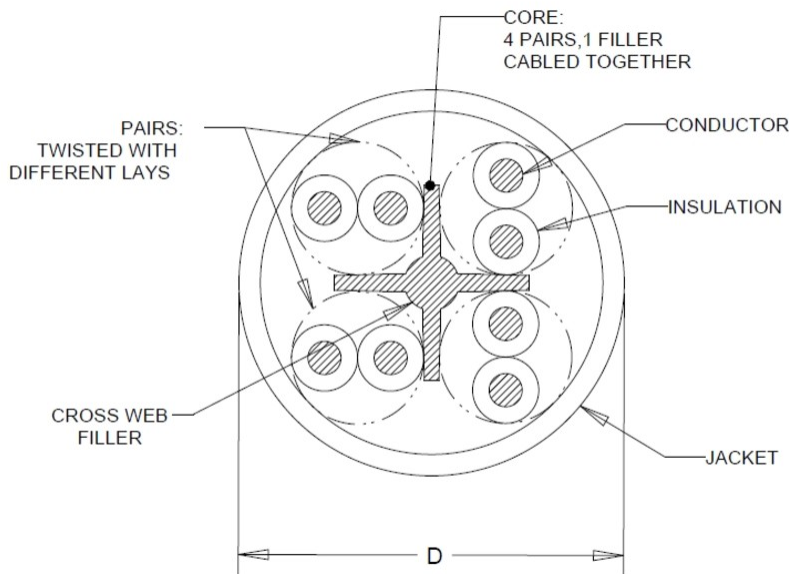
General Specifications

ANSI/TIA Category	6
Cable Component Type	Horizontal
Cable Type	U/UTP (unshielded)
Conductor Type, singles	Solid
Conductors, quantity	8
Jacket Color	White
Pairs, quantity	4
Transmission Standards	ANSI/TIA-568.2-D CENELEC EN 50288-6-1 ISO/IEC 11801 Class E

Dimensions

Cable Length	304.8 m 1000 ft
Diameter Over Jacket, nominal	5.69 mm 0.224 in
Conductor Gauge, singles	24 AWG

Cross Section Drawing



Electrical Specifications

Operating Voltage, maximum 80 V

Remote Powering Fully complies with the recommendations set forth by IEEE 802.3bt (Type 4) for the safe delivery of power over LAN cable when installed according to ISO/IEC 14763-2, CENELEC EN 50174-1, CENELEC EN 50174-2 or TIA TSB-184-A

Material Specifications

Conductor Material Bare copper

Insulation Material Polyolefin

Jacket Material Low Smoke Zero Halogen (LSZH)

Environmental Specifications

Operating Temperature -20 °C to +60 °C (-4 °F to +140 °F)

Packaging and Weights

Packaging Type Reel

Regulatory Compliance/Certifications

Agency	Classification
CHINA-ROHS	Below maximum concentration value

219585-2

REACH-SVHC

Compliant as per SVHC revision on www.commscope.com/ProductCompliance

ROHS

Compliant

